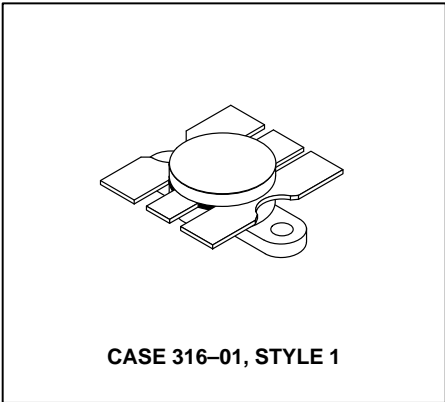


The RF Line

NPN Silicon

RF Power Transistor



Designed for 12.5 Volt UHF large-signal, common emitter, class-C amplifier applications in industrial and commercial FM equipment operating to 520 MHz.

- Specified 12.5 Volt, 512 MHz Characteristics
 - Output Power = 65 Watts
 - Minimum Gain = 4.15 dB
 - Minimum Efficiency = 50%
- Characterized with Series Equivalent Large-Signal Impedance Parameters from 400 to 520 MHz
- Built-In Matching Network for Broadband Operation
- Triple Ion Implanted for More Consistent Characteristics
- Implanted Emitter Ballast Resistors for Improved Ruggedness
- Silicon Nitride Passivated
- Capable of Surviving Load Mismatch Stress at all Phase Angles with 20:1 VSWR @ 15.5 Vdc and 2.0 dB Overdrive

MAXIMUM RATINGS

Rating	Symbol	Value	Unit
Collector-Emitter Voltage	V_{CEO}	16.5	Vdc
Collector-Emitter Voltage	V_{CES}	38	Vdc
Emitter-Base Voltage	V_{EBO}	4.0	Vdc
Collector Current — Continuous	I_C	15	Adc
Total Device Dissipation @ $T_C = 25^\circ\text{C}$ Derate above 25°C	P_D	175 1.0	Watts W/°C
Storage Temperature Range	T_{stg}	- 65 to +150	°C

THERMAL CHARACTERISTICS

Characteristic	Symbol	Max	Unit
Thermal Resistance, Junction to Case	$R_{\theta JC}$	1.0	°C/W

ELECTRICAL CHARACTERISTICS ($T_C = 25^\circ\text{C}$ unless otherwise noted.)

Characteristic	Symbol	Min	Typ	Max	Unit
----------------	--------	-----	-----	-----	------

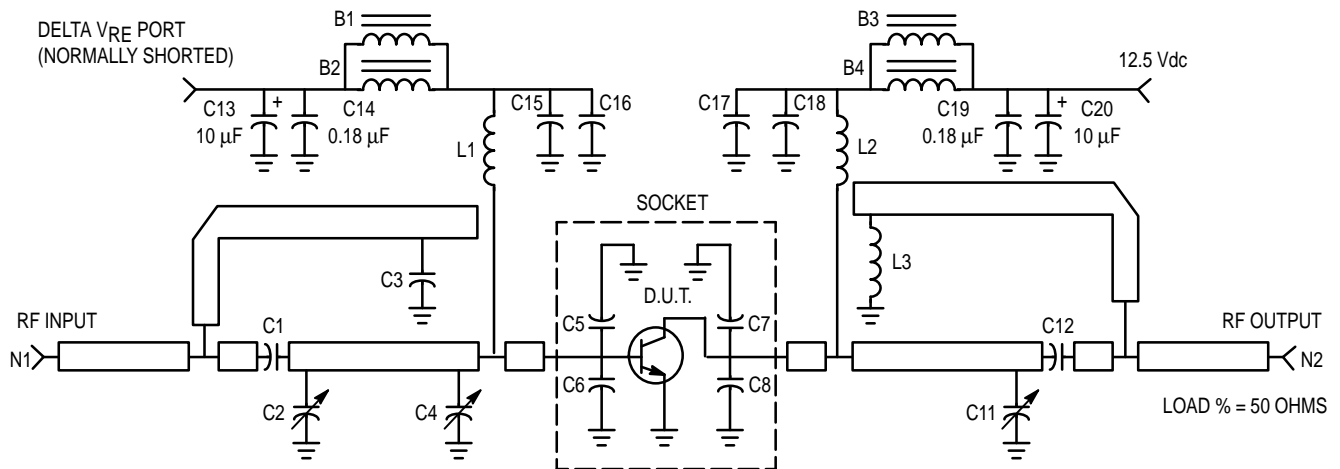
OFF CHARACTERISTICS

Collector-Emitter Breakdown Voltage ($I_C = 50 \text{ mAdc}$, $I_B = 0$)	$V_{(BR)CEO}$	16.5	29	—	Vdc
Collector-Emitter Breakdown Voltage ($I_C = 50 \text{ mAdc}$, $V_{BE} = 0$)	$V_{(BR)CES}$	38	45	—	Vdc
Emitter-Base Breakdown Voltage ($I_E = 10 \text{ mAdc}$, $I_C = 0$)	$V_{(BR)EBO}$	4.0	4.6	—	Vdc
Collector Cutoff Current ($V_{CE} = 15 \text{ Vdc}$, $V_{BE} = 0$, $T_C = 25^\circ\text{C}$)	I_{CES}	—	0.1	10	mAdc

(continued)

ELECTRICAL CHARACTERISTICS — continued ($T_C = 25^\circ\text{C}$ unless otherwise noted.)

Characteristic	Symbol	Min	Typ	Max	Unit
ON CHARACTERISTICS					
DC Current Gain ($I_C = 10 \text{ Adc}$, $V_{CE} = 5.0 \text{ Vdc}$)	h_{FE}	40	85	120	—
DYNAMIC CHARACTERISTICS					
Output Capacitance ($V_{CB} = 12.5 \text{ Vdc}$, $I_E = 0$, $f = 1.0 \text{ MHz}$)	C_{ob}	—	170	220	pF
FUNCTIONAL TESTS (In Motorola Test Fixture. See Figure 1.)					
Output Power ($V_{CC} = 12.5 \text{ Vdc}$, $P_{in} = 25 \text{ W}$, $f = 470 \text{ \& } 512 \text{ MHz}$)	P_{out}	65	—	—	W
Collector Efficiency ($V_{CC} = 12.5 \text{ Vdc}$, $P_{out} = 65 \text{ W}$, $f = 470 \text{ \& } 512 \text{ MHz}$)	η	50	60	—	%
Output Mismatch Stress ($V_{CC} = 15.5 \text{ Vdc}$, $P_{in} = 32 \text{ W}$, $f = 512 \text{ MHz}$, VSWR 20:1, All Phase Angles)	ψ	No Degradation in Output Power			



- B1–B4 — Long Bead, Fair Rite (2743019446)
- C1 — 56 pF, Chip Capacitor, Murata Erie
- C2 — 1–20 pF Trimmer, Johanson–JMC 5501 PG26J200
- C3 — 39 pF, Chip Capacitor, Murata Erie
- C4 — 1–20 pF Trimmer, Johanson–JMC 5501
- C5 — 33 pF, Miniature Clamped Mica, SAHA
- C6 — 33 pF, Miniature Clamped Mica, SAHA
- C7 — 33 pF, Miniature Clamped Mica, SAHA
- C8 — 27 pF, Miniature Clamped Mica, SAHA
- C11 — 1–20 pF Trimmer, Johanson–JMC 5501 PG26J200
- C12 — 110 pF, Chip Capacitor, Murata Erie
- C13 — 10 μF , 50 V Electrolytic, Panasonic–ECEV1HV100R
- C14 — 0.18 μF Chip Capacitor
- C15 — 130 pF, Chip Capacitor, Murata Erie

- C16 — 130 pF, Chip Capacitor, Murata Erie
- C17 — 130 pF, Chip Capacitor, Murata Erie
- C18 — 130 pF, Chip Capacitor, Murata Erie
- C19 — 0.18 μF Chip Capacitor
- C20 — 10 μF , 50 V Electrolytic, Panasonic–ECEV1HV100R
- Board — 1/16" Glass Teflon, $\epsilon_r = 2.55$, Keene (GX–0600–55–22)
- L1, L2 — 5 Turns, 20 AWG, ID 0.126"
- L3 — 2 Turns, 26 AWG, ID 0.073"
- N1, N2 — Type N Flange, Omni Spectra (3052–1648–10)

- Murata Erie Chip Capacitors — GRH710COGxxxx100VBE
- SAHA Mini Clamped Mica Capacitors — 3HS0006–xx

Figure 1. 512 MHz Test Circuit

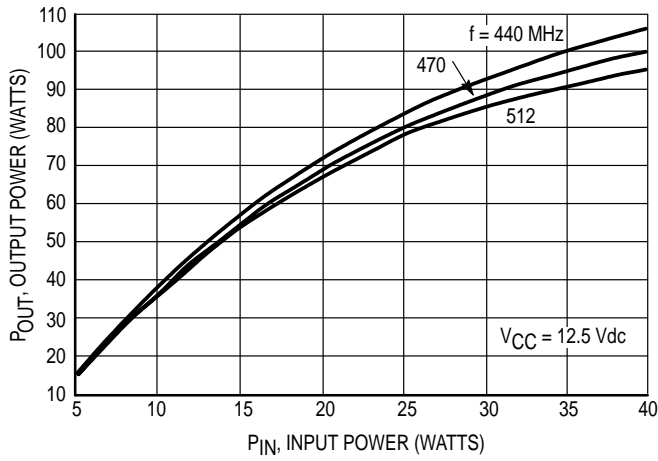


Figure 2. Output Power versus Input Power

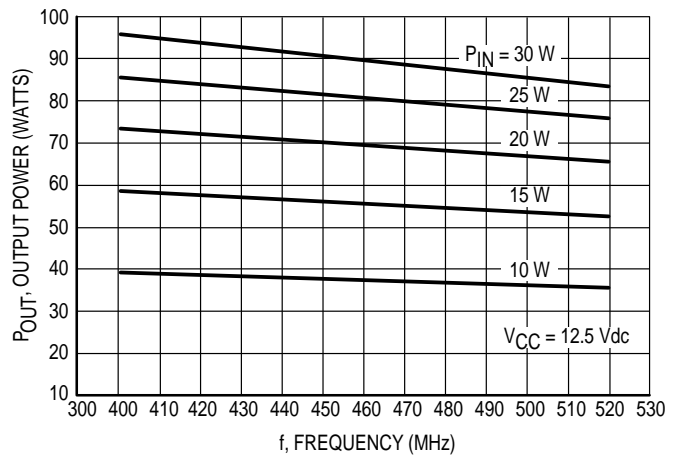


Figure 3. Output Power versus Frequency

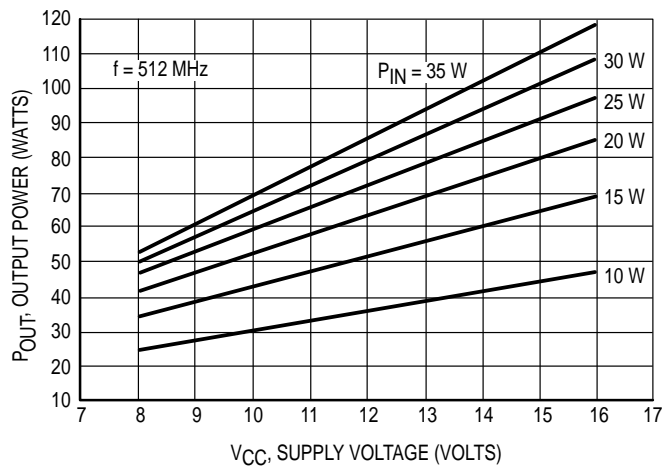
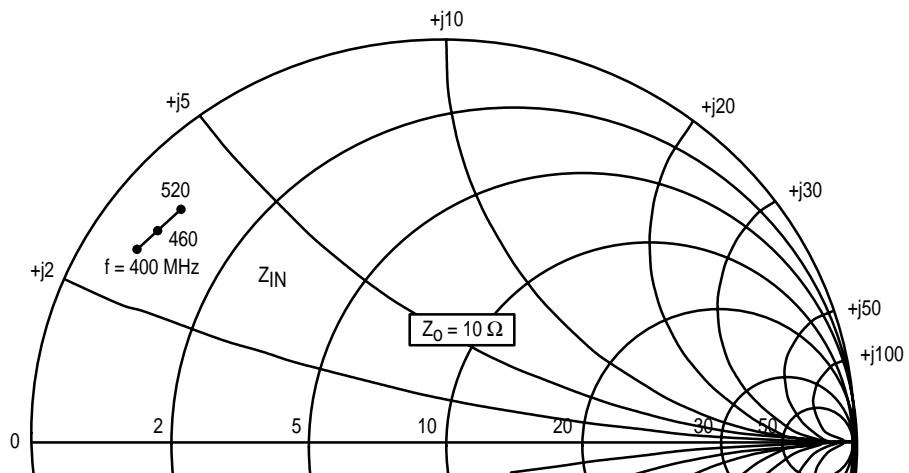
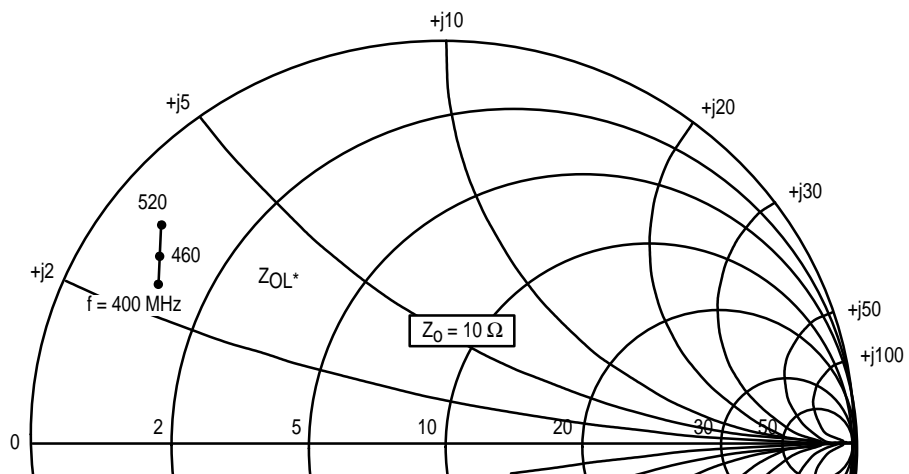


Figure 4. Output Power versus Supply Voltage



$V_{CC} = 12.5 \text{ V}$ $P_0 = 70 \text{ W}$

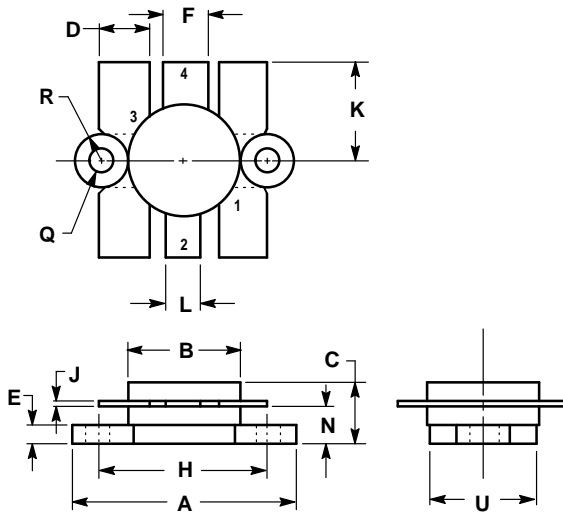
f MHz	Z_{IN} OHMS	Z_{OL}^* OHMS
400	$0.62 + j2.8$	$1.20 + j2.5$
440	$0.72 + j3.1$	$1.10 + j2.8$
480	$0.81 + j3.3$	$0.94 + j3.1$
520	$0.90 + j3.6$	$0.80 + j3.4$



Z_{OL}^* = Conjugate of optimum load impedance into which the device operates at a given output power, voltage and frequency.

Figure 5. Series Equivalent Input and Output Impedances

PACKAGE DIMENSIONS




NOTES:
1. FLANGE IS ISOLATED IN ALL STYLES.

DIM	INCHES		MILLIMETERS	
	MIN	MAX	MIN	MAX
A	24.38	25.14	0.960	0.990
B	12.45	12.95	0.490	0.510
C	5.97	7.62	0.235	0.300
D	5.33	5.58	0.210	0.220
E	2.16	3.04	0.085	0.120
F	5.08	5.33	0.200	0.210
H	18.29	18.54	0.720	0.730
J	0.10	0.15	0.004	0.006
K	10.29	11.17	0.405	0.440
L	3.81	4.06	0.150	0.160
N	3.81	4.31	0.150	0.170
Q	2.92	3.30	0.115	0.130
R	3.05	3.30	0.120	0.130
U	11.94	12.57	0.470	0.495

STYLE 1:
PIN 1. EMITTER
2. COLLECTOR
3. EMITTER
4. BASE

**CASE 316-01
ISSUE D**

Motorola reserves the right to make changes without further notice to any products herein. Motorola makes no warranty, representation or guarantee regarding the suitability of its products for any particular purpose, nor does Motorola assume any liability arising out of the application or use of any product or circuit, and specifically disclaims any and all liability, including without limitation consequential or incidental damages. "Typical" parameters can and do vary in different applications. All operating parameters, including "Typicals" must be validated for each customer application by customer's technical experts. Motorola does not convey any license under its patent rights nor the rights of others. Motorola products are not designed, intended, or authorized for use as components in systems intended for surgical implant into the body, or other applications intended to support or sustain life, or for any other application in which the failure of the Motorola product could create a situation where personal injury or death may occur. Should Buyer purchase or use Motorola products for any such unintended or unauthorized application, Buyer shall indemnify and hold Motorola and its officers, employees, subsidiaries, affiliates, and distributors harmless against all claims, costs, damages, and expenses, and reasonable attorney fees arising out of, directly or indirectly, any claim of personal injury or death associated with such unintended or unauthorized use, even if such claim alleges that Motorola was negligent regarding the design or manufacture of the part. Motorola and  are registered trademarks of Motorola, Inc. Motorola, Inc. is an Equal Opportunity/Affirmative Action Employer.

Literature Distribution Centers:

USA: Motorola Literature Distribution; P.O. Box 20912; Phoenix, Arizona 85036.

EUROPE: Motorola Ltd.; European Literature Centre; 88 Tanners Drive, Blakelands, Milton Keynes, MK14 5BP, England.

JAPAN: Nippon Motorola Ltd.; 4-32-1, Nishi-Gotanda, Shinagawa-ku, Tokyo 141, Japan.

ASIA PACIFIC: Motorola Semiconductors H.K. Ltd.; Silicon Harbour Center, No. 2 Dai King Street, Tai Po Industrial Estate, Tai Po, N.T., Hong Kong.



MOTOROLA



MRF658/D



This datasheet has been downloaded from:

www.DatasheetCatalog.com

Datasheets for electronic components.