



## WH06-1C 旋转式合成碳膜电位器

(WH06-1C ROTARY CARBON COMPOSITION POTENTIOMETERS)

### 一般事项

□此规格适用于电子设备之可变电阻器。

□使用温度范围：-25°~70°

### General

-This specification is applied to potentiometers used for electronic equipment.

-Operating temperature: -25°~70°

### 特点

□长寿命, 低成本。

□品种规格多, 适用性强

□阻值线性多样化

□力矩小

### Features

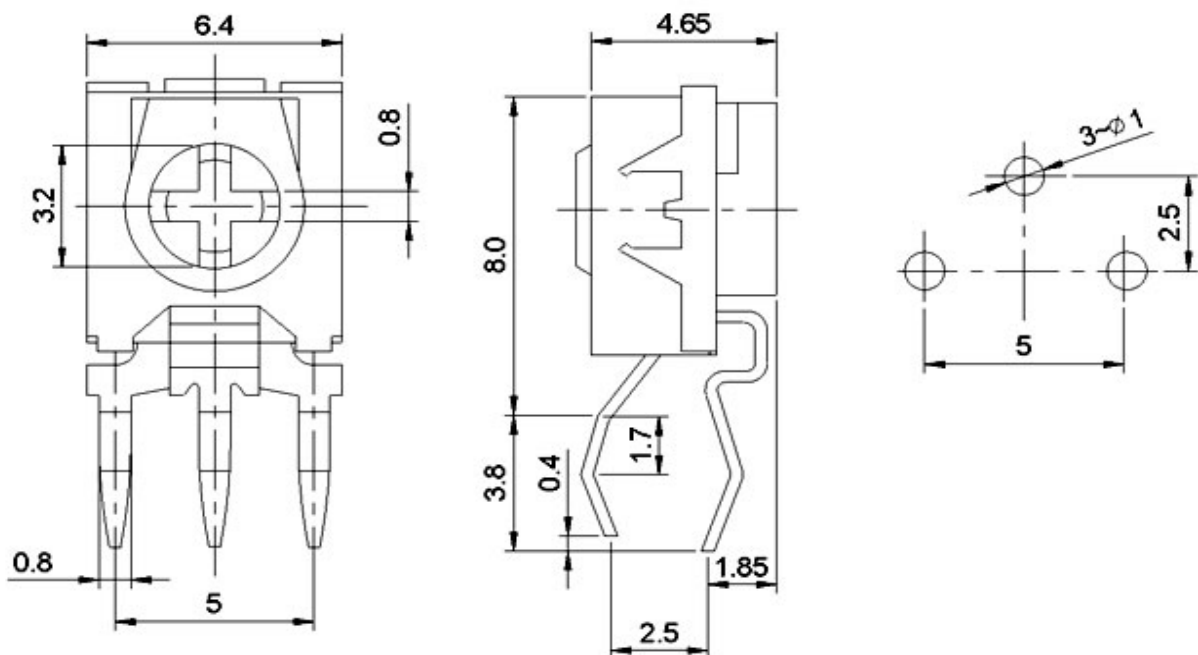
-Long life model, low cost

-Since a variety of types are available, they can be used for a wide range of products

-Special tapers.

-Low torque option

### 外形图及安装孔尺寸 OUTLINE DRAWING AND MOUNTING HOLE DETAIL



性能说明 CHARACTERISTICS

项目 ITEM		规格 SPECIFICATION
电气性能 <b>Electrical Characteristics</b>	额定功率 Rated Power	0.1W
	最大工作电压 Max Operation Voltage	DC 50V
	阻值范围 Resistance Range	1K $\Omega$ ~2M $\Omega$
	阻值允许偏差 Allow Desistance Tolerance	$\pm 20\%$ (1M $\Omega$ or more30%)
	电气旋转角度 Electrical rotation angle	200 $^{\circ}$ $\pm 5^{\circ}$
	残留电阻 Residual Resistance	R<1K $\Omega$ :Max20 $\Omega$ R $\geq$ 1K $\Omega$ : Max2% R
	电阻规律 Resistance Law	A(lin)、B(log)、C(Alog)
	平滑性 Equivalent Noise Resistance	$\leq 3\%$ Rn(3 $\Omega$ min.)
	焊接 Soldering	235 $^{\circ}$ C $\pm 5^{\circ}$ C: $\leq 3$ s
机械性能 <b>Mechanical Characteristics</b>	旋转力矩 Rotational Torque	2~35mN.m
	总旋转角度 Total Rotational Angle	240 $^{\circ}$ $\pm 5^{\circ}$
	机械耐久性 Mechanical Endurance	1,000cycles
	终端止挡强度 Shaft Stopper Strength	$\geq 10$ N.m